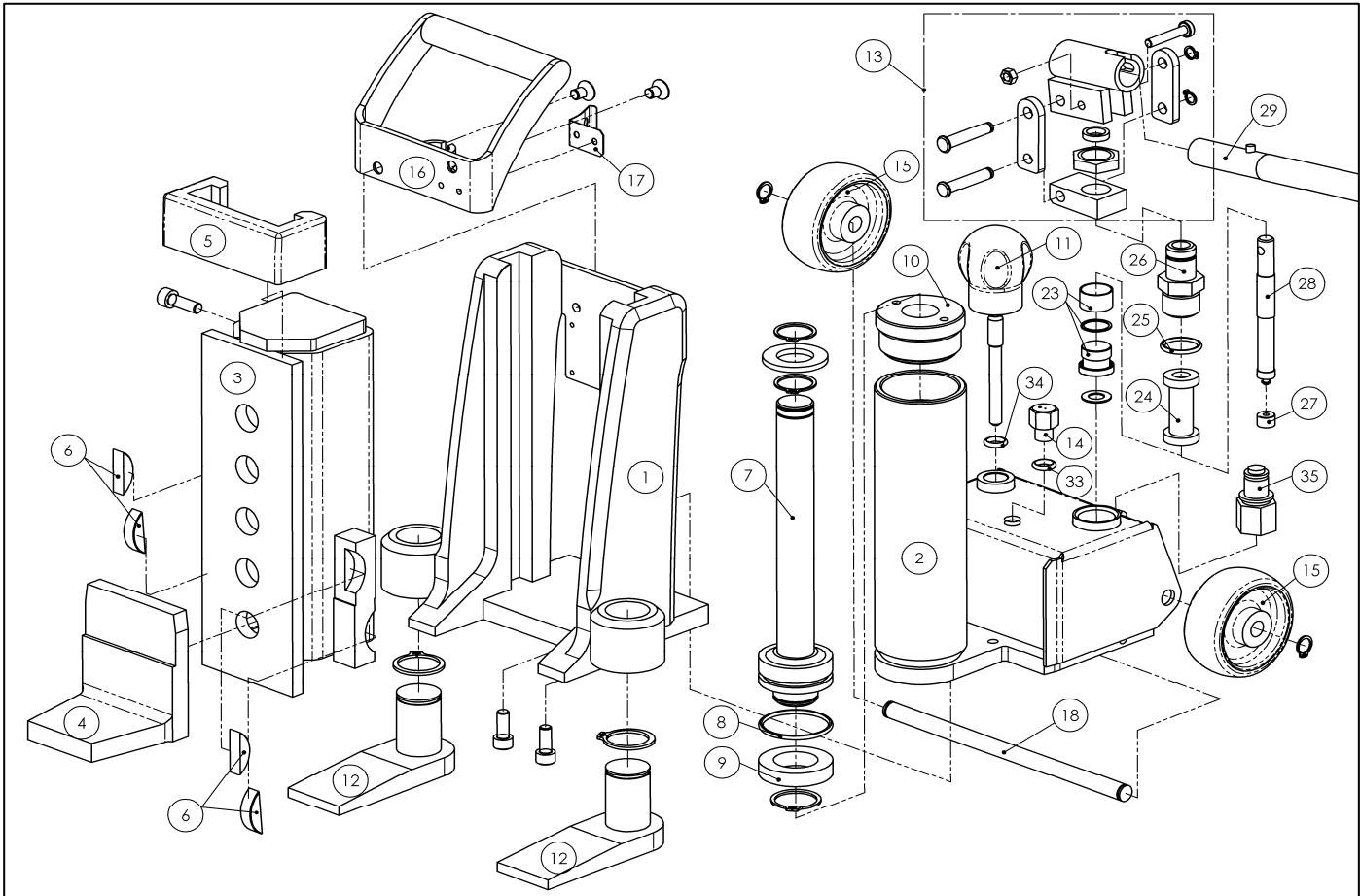


Toolwell

N. American Manufacturer's Rep for JUNG Dollies & Jacks
 Tel: (800) 786-6112 • Tel: (404) 348-4682 • Fax: (866) 332-3299

Spare Parts for JUNG Hydraulic Jacks Model: JH 5-10-15-20 G-plus



Item-No.	Designation	Models			
		JH 5 G plus	JH 10 G plus	JH 15 G plus	JH 20 G plus
		Part-Numbers			
1	Housing	On request		91 156 002-B	91 206 002-B
2	Pump unit / Tank	On request		On request	
3	Slide assy.	91 056 003-B	91 106 003-B	91 156 003-B	91 206 003-B
4	Toe	91 056 520-B	91 106 520-B	91 156 520-B	91 206 520-B
5	Bracket	91 056 510-B	91 106 510-B	91 156 510-B	91 206 510-B
6	Slide Shoe, 1 piece	91 103 420-E		91 153 020-E	
7 8 9	Lifting Piston assy.	91 056 235-B	91 106 235-B	91 156 235-B	91 206 235-B
10	Guide nut	91 056 243-E	91 114 043-E	91 154 043-E	91 254 043-E
11	Lowering Screw	91 106 446-B			
12	Swiveling Foot	91 102 411-B		91 156 210-B	91 206 210-B
13	Pump Rod assy.	91 010 004-B			
14	Oil reservoir breather valve	94 040 027-B			
15	Wheel with circlip lock ring	95 050 084-E		95 050 085-E	
16 17	Handle bar assembly	On request			
23	Valve complete	91 010 076-B			
24	Pressure Cylinder	91 010 012-B			
25 26	Pressure Screw assy.	91 010 110-B			
27 28	Pressure Piston	91 106 463-B			
29	Pump Lever	91 106 480-B			
8 9 25 27 33 34	Seal kit	99 066 005-L	99 066 010-L	99 066 015-L	99 066 020-L
35	Hydraulic Nipple	94 040 002-E			
	JUNG hydr. Oil 1 litre	94 040 028-E			

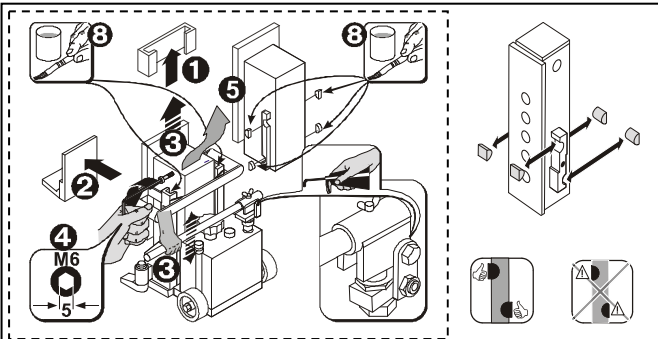
JH 5 G plus/ JH 10 G plus new version 04/2005

JH 50 G-EX: Parts on request

Maintenance, Assembly, Repair



We recommend a yearly maintenance of your jack (see annexed sheet).



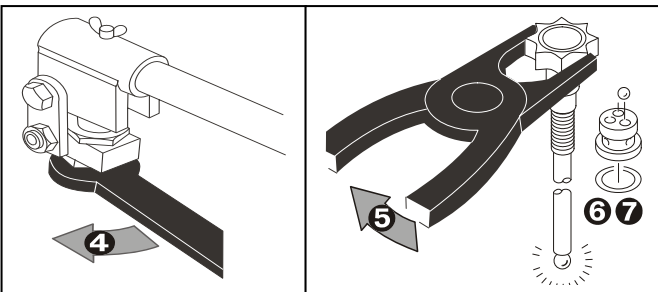
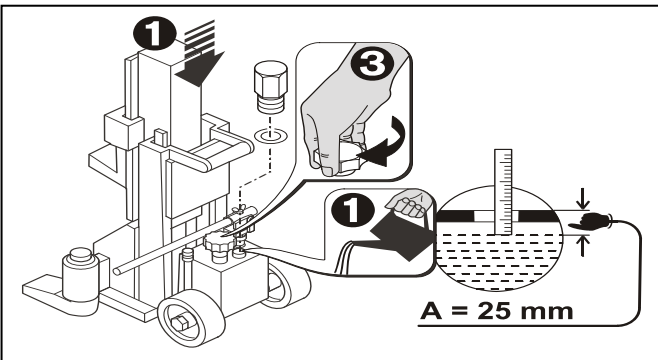
Control and renew slide shoes regularly if wear out



Jacks never use:

- without slide shoes
- with less than 4 slide shoes
- when slide shoes are worn out

What to do if?



If a pump repair has to be carried out please return on consultation with us:

- Only the pump unit of JH 5, 10, 15, 20 G-plus
- The complete jack of JH 5, 10, 15, 20 G plus.

We recommend a yearly maintenance of your jack by our quick service (see annexed sheet)



If you carry out the maintenance by yourself, please dispose of your waste oil in accordance with environmental regulations.

You have purchased a very safe and reliable unit. Observing the following maintenance instruction will ensure that the jack will provide long service to your entire satisfaction.

Grease guides regularly as they are exposed to high friction forces!

1, 2 Pull off bracket and remove lifting toe.

3 Lift slide lightly.

✎ Not JH 50 G-EX with external pump:

4 Loosen screw.

5 Pull out slide.

6 Oil bolt

➔ Clean guidance and slide shoes

Oil bolt regularly

Assembling: return steps

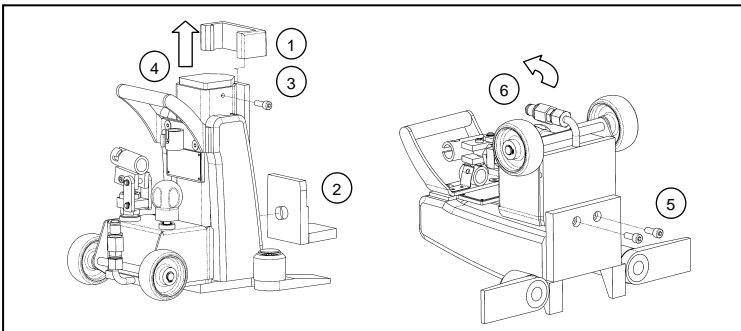
✎ Not on JH 50 G-EX

FAULT	CAUSE	REMEDY
Load is not fully lifted Lifting piston not completely extended	1 Lack of oil	First lower lifting piston fully Add oil, for JH 50 G-EX refill external pump Oil level – see picture ✎✎ Change hydraulic oil yearly. We recommend JUNG-hydraulic oil for reliable function. (Part-No. 94 040 028-E including oil change instruction)
		✎✎ Dispose the waste hydraulic oil in accordance with environmental regulations.
Load is not lifted at all	2 Admissible Capacity exceeded	Use additional or larger jack
	3 Lowering screw open	Tighten it For JH 50 G- plus tighten it at external pump
	4 Pressure screw loose	Tighten it For JH 50 G- plus tighten it at external pump
	5 Ball seat of lowering screw not seating - Caused by foreign body	Press ball in seat Tighten lowering screw cautiously several times (with pliers)
	6 Valve dirty	Remove it, clean it
	7 Valve defective	Remove it, displace it
	8 Breather valve defective	Displace it

Maintenance, Assembly, Repair

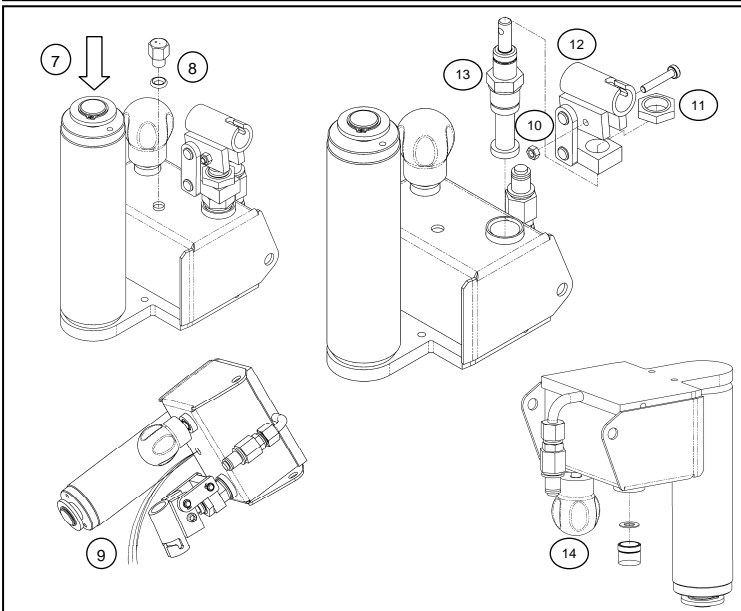
Valve Assembly remove and install

Not valid for JH 50 G-EX



1. Pull off bracket
2. Remove lifting toe
3. Loosen screw
4. Pull out slide
5. Loosen screws on bottom plate
6. Pull out pump unit

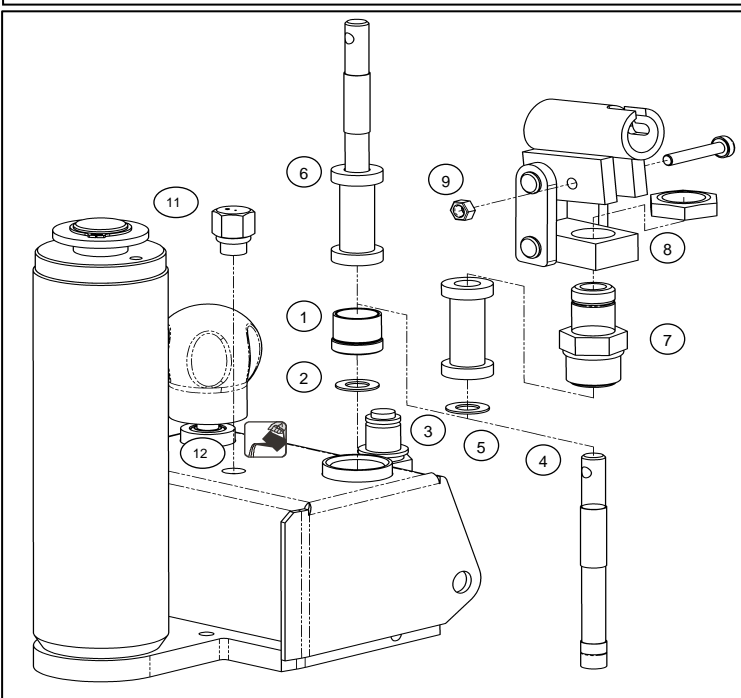
Then remove valve assembly



7. Lower lifting piston and loosen lowering screw
8. Loosen oil reservoir valve
9. Drain oil
=> Tilt unit and let oil drain in suitable container
10. Drive out transverse dowel pin
11. Unscrew hexagon nut
12. Remove pump rods
13. Loosen hexagon nut and pull out pressure piston with pressure cylinder
14. Turn unit upside down, shaking out the valve assembly

INSTALL VALVE ASSEMBLY

Not valid for JH 50 G-EX



1. Blow out valve seat with compressed air!
2. Insert valve assembly with sealing ring and ball
3. Remove copper sealing
4. Insert pressure piston from the bottom into the pressure cylinder
5. Reinsert copper sealing
6. Insert pressure piston and pressure cylinder into the guiding pipe
7. Screw on intermediate ring and pressure screw
8. Insert pump rod, securing it by means of the nut
9. Drive in transverse dowel pin
10. Fill with oil
11. Screw in oil reservoir valve
12. Reinstall the pump unit (not pictured)