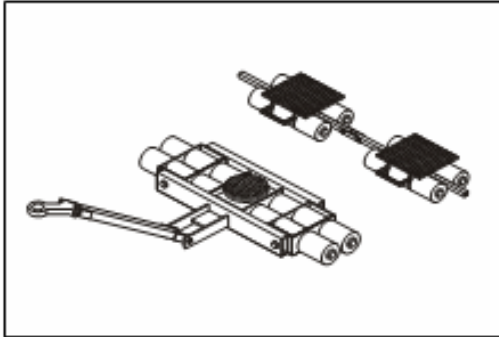


WEIGHT PRESSURE CONCENTRATION ON FLOOR

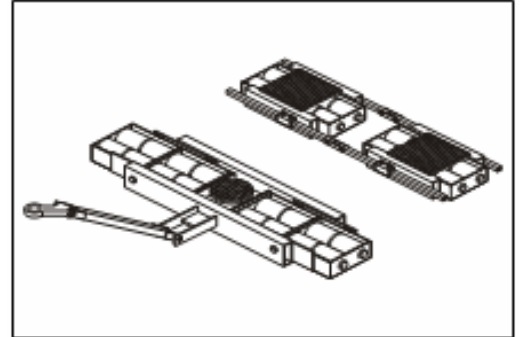


Dolly Model
A20 and **B20**

Number of Rollers:

Each dolly: **12**

Combined: **24**

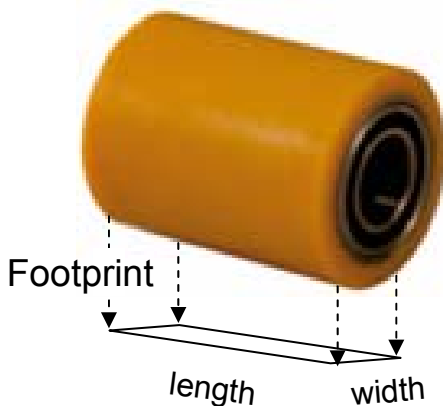


Dolly Model
A25 and **B25**

Number of Rollers:

Each dolly: **16**

Combined: **32**



Roller contact surface with floor

- ▶ width: 0.3152" | 8mm
- ▶ length: 4.728" | 120mm

Footprint per roller:

- ▶ **1.490 in²** | 9.60cm²

$$\text{Pressure (psi)} = \frac{\text{Load weight (lbs)}}{\text{Number of rollers} \times \text{footprint per roller (in}^2\text{)}}$$