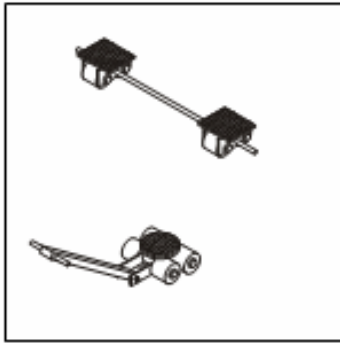
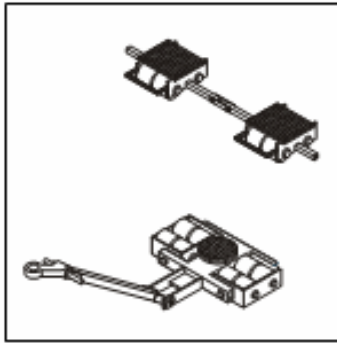


WEIGHT PRESSURE CONCENTRATION ON FLOOR



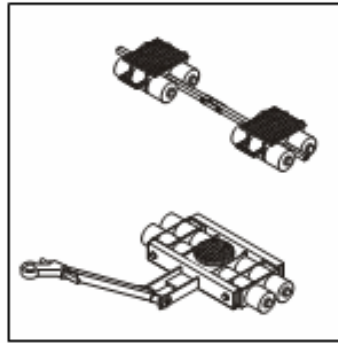
Dolly Model
A3 and B3

Number of Rollers:
Each dolly: **4**
Combined: **8**



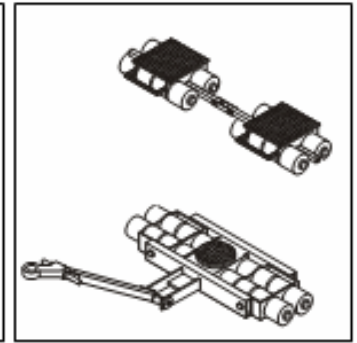
Dolly Model
A6 and B6

Number of Rollers:
Each dolly: **8**
Combined: **16**



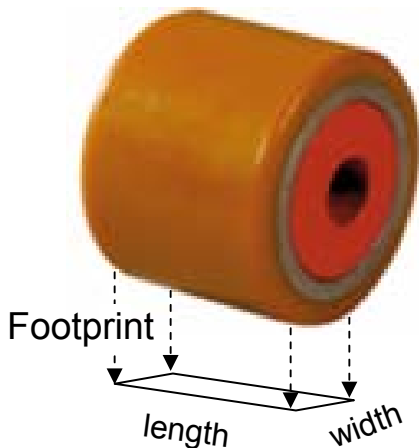
Dolly Model
A9 and B9

Number of Rollers:
Each dolly: **12**
Combined: **24**



Dolly Model
A12 and B12

Number of Rollers:
Each dolly: **16**
Combined: **32**



Roller contact surface with floor

- ▶ width: 0.2758" | 7mm
- ▶ length: 3.3490" | 85mm

Footprint per roller:

- ▶ **0.924 in²** | 5.95cm²

$$\text{Pressure (psi)} = \frac{\text{Load weight (lbs)}}{\text{Number of rollers} \times \text{footprint per roller (in}^2\text{)}}$$