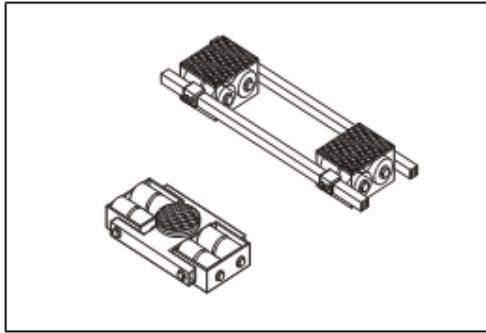
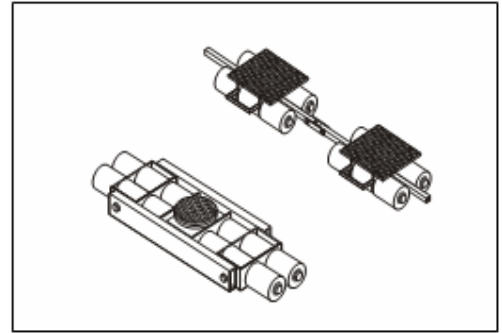


WEIGHT PRESSURE CONCENTRATION ON FLOOR



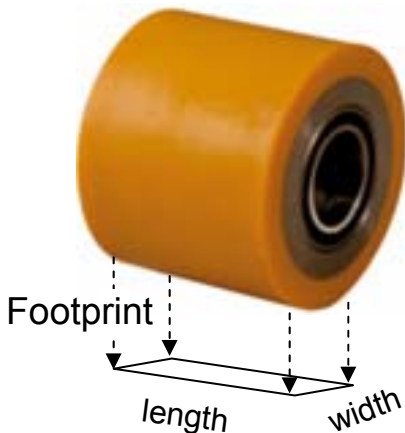
Dolly Model
A35 and B35

Number of Rollers:
 Each dolly: **8**
 Combined: **16**



Dolly Model
A50 and B50

Number of Rollers:
 Each dolly: **12**
 Combined: **24**



Roller contact surface with floor

- ▶ width: 1.97" | 50mm
- ▶ length: 6.70" | 170mm

Footprint per roller:

- ▶ **13.20 in²** | 85cm²

$$\text{Pressure (psi)} = \frac{\text{Load weight (lbs)}}{\text{Number of rollers} \times \text{footprint per roller (in}^2\text{)}}$$